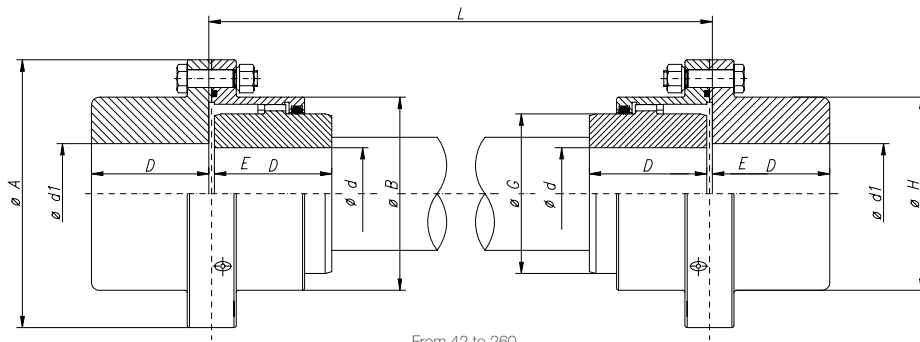
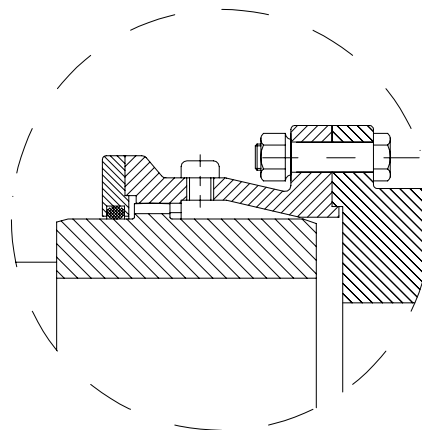


COUPLINGS WITH CONVEX TEETH. Model AGT 12.



From 42 to 260



From 280 to 800

DATA TO COMPLETE

- *1- Nominal torque (DaN.m)
- *2- Speed (rpm)
- *3- Working group (FEM/DIN)
- *4- d1 Diameter (mm)
- *5- E dimension (mm)
- *6- D dimension (mm)
- *7- L dimension (mm)

* Necessary information to prepare an offer.

OTHER REQUIREMENTS

.....

.....

.....

.....

.....

.....

.....

.....

.....

.....